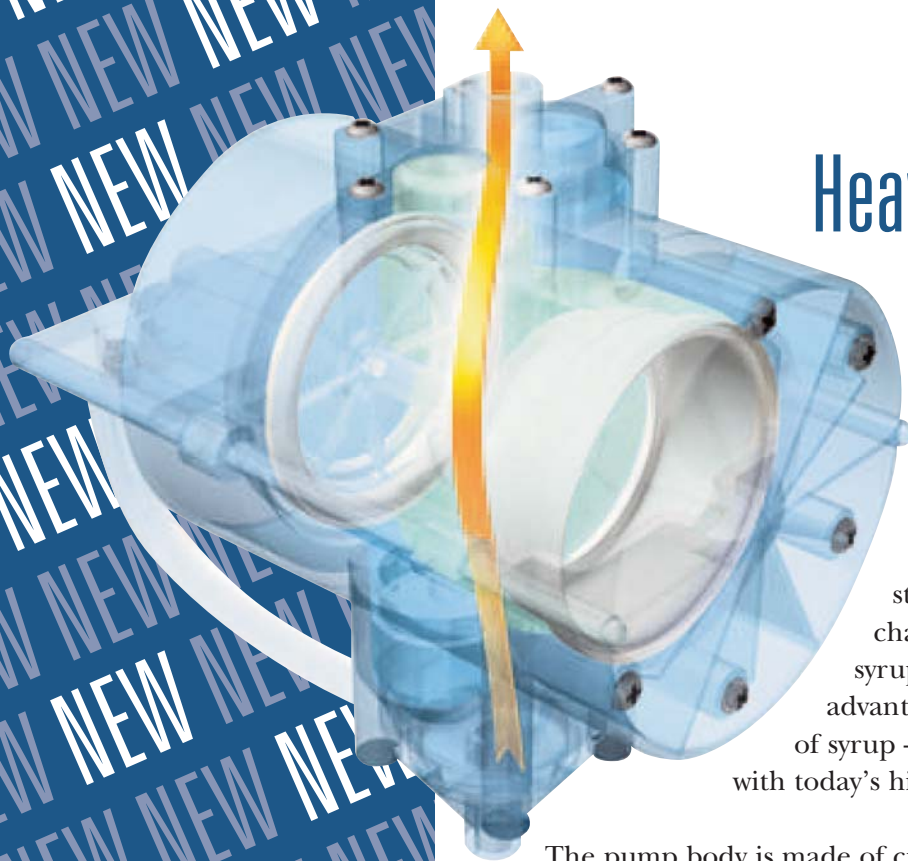


SHURflo®

First in Fluid Innovation

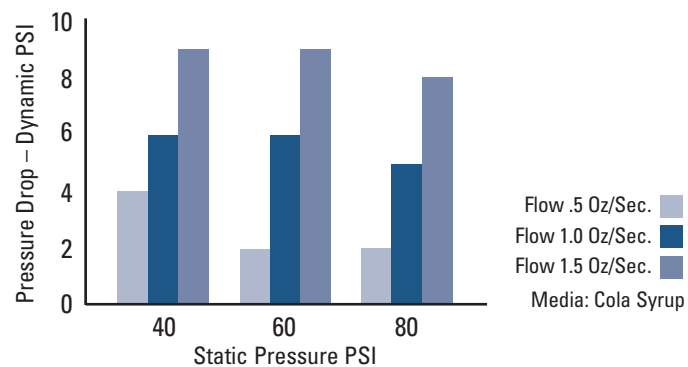
Heavy Duty Advantage XL



The purpose of any pump in a postmix system is to deliver the syrup in a way that maximises the ratio ability of the dispensing valve. A pressure drop occurs every time the dispensing valve opens and closes. The lower the pressure drop, the more consistent the drink. The Heavy Duty Advantage has a straight syrup path, larger pumping chambers and a configuration between the syrup and air that results in a hydraulic advantage. The result is precise steady delivery of syrup – nowhere is this more important than with today's higher ratio syrups.

The pump body is made of crack-resistant, glass filled polypropylene. Superior engineering and highly trained sales and service teams give Shurflo the advantage. You can depend on consistent syrup delivery and long reliable pump life with The Heavy Duty Advantage XL Pump.

Lowest Pressure Drop In The Industry



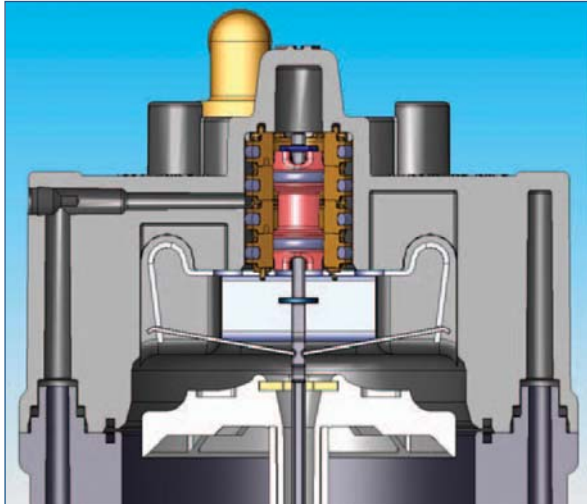
Features & Benefits

- ▶ Straight, short, syrup path for consistent, efficient delivery
- ▶ High volume per stroke for maximised pump life
- ▶ Operating pressure to 85 psi can handle the most difficult installations, suitable for all pump needs



Pentair
Foodservice

Heavy Duty Advantage XL



Simplified activator mechanism provides linear switching and increased life.

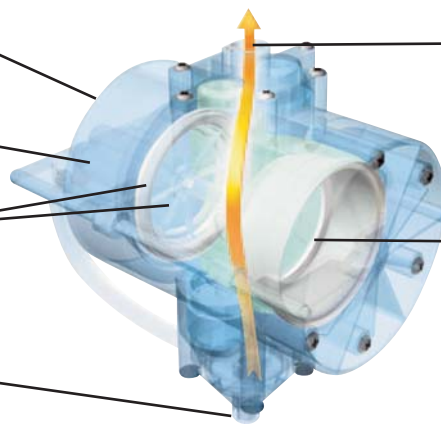
The Advantage pistons are also designed to accommodate positive interior liquid pressure. Pressure applied to the inlet or outlet liquid ports is unable to damage the Advantage Pump.

Smooth body is easy to keep clean

XL Heavy Duty Actuator Mechanism increases life

Hydraulic Advantage-Syrup on inside of piston and air on outside reduces pressure drop

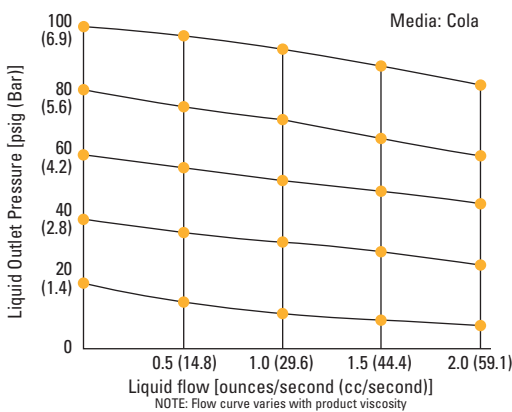
Quick disconnect fittings reduces labour and parts when replacing pumps



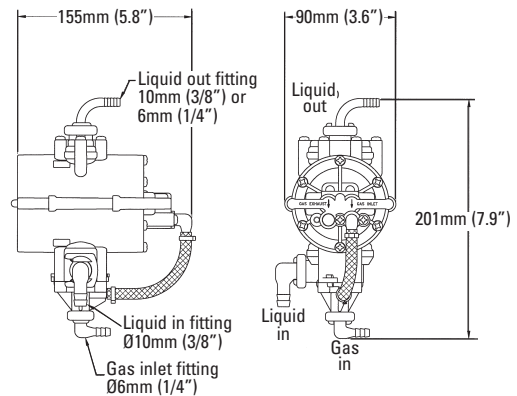
Straight through flow path

One piece piston diaphragm

Pressure Vs. flow chart



Dimensions



Technical Specification

Standard fittings	Liquid inlet	10mm (3/8") Plastic elbow
	Liquid outlet	6mm (1/4") Stainless Steel elbow 10mm (3/8") Stainless Steel elbow and straight 12mm (1/2") Stainless Steel elbow and straight
	Air inlet	6mm (1/4") Nylon elbow & "T" elbow 6mm (1/4") Brass elbow & "T" elbow



Pentair Water Belgium bvba

Industriepark Wolfstee, Toekomstlaan 30, B-2200 Herentals, Belgium

TEL: +32 14 283 500 FAX: +32 14 283 505

email: sales@shurflo.co.uk

Web: www.shurflo.com